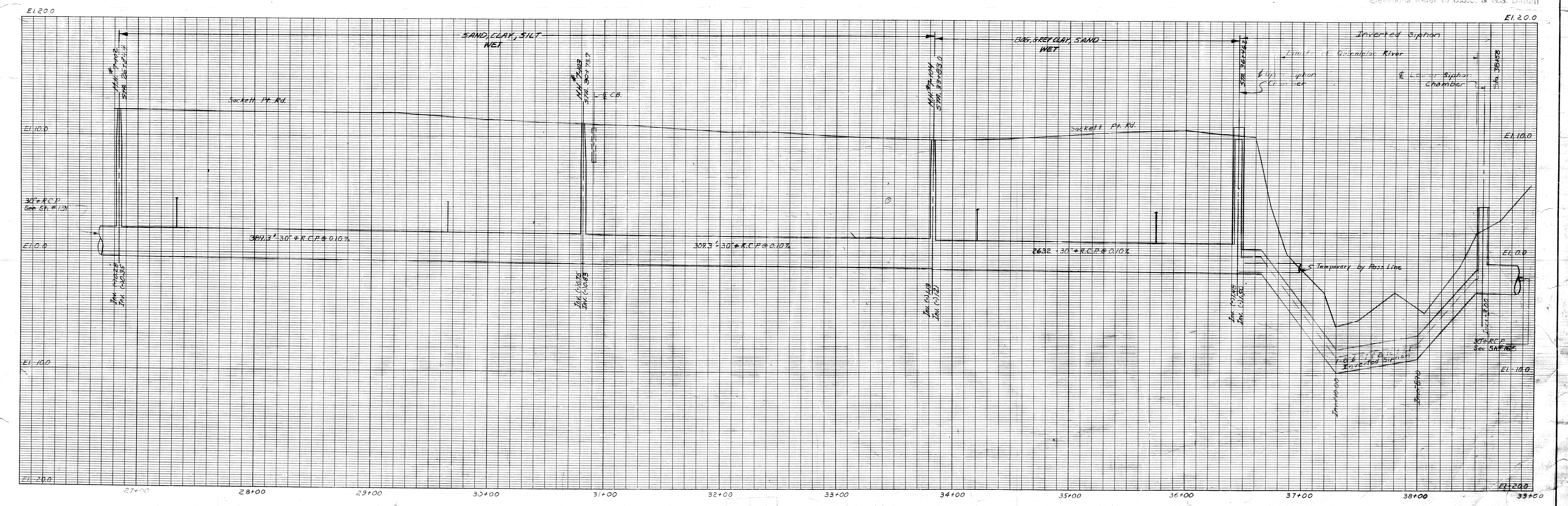
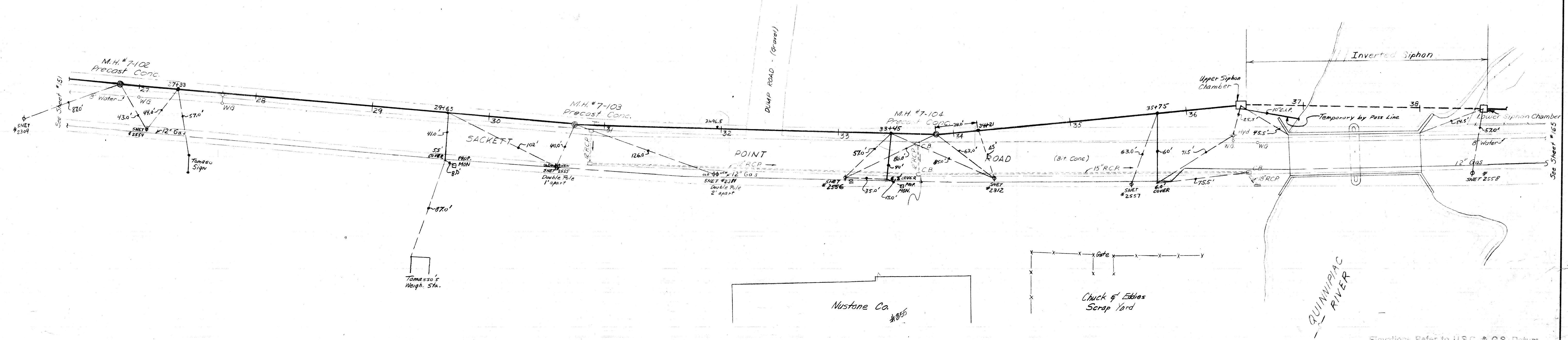
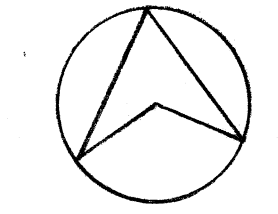
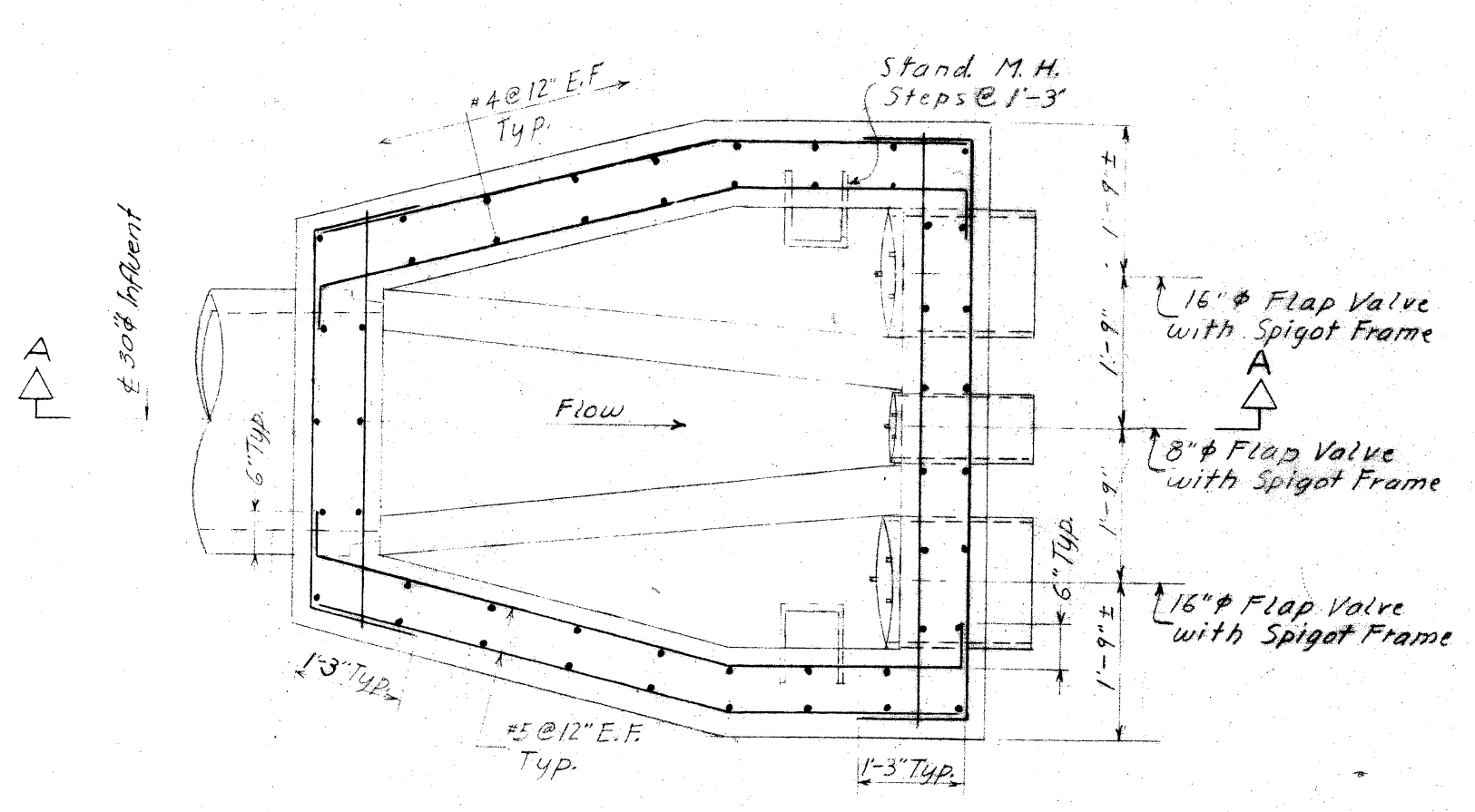
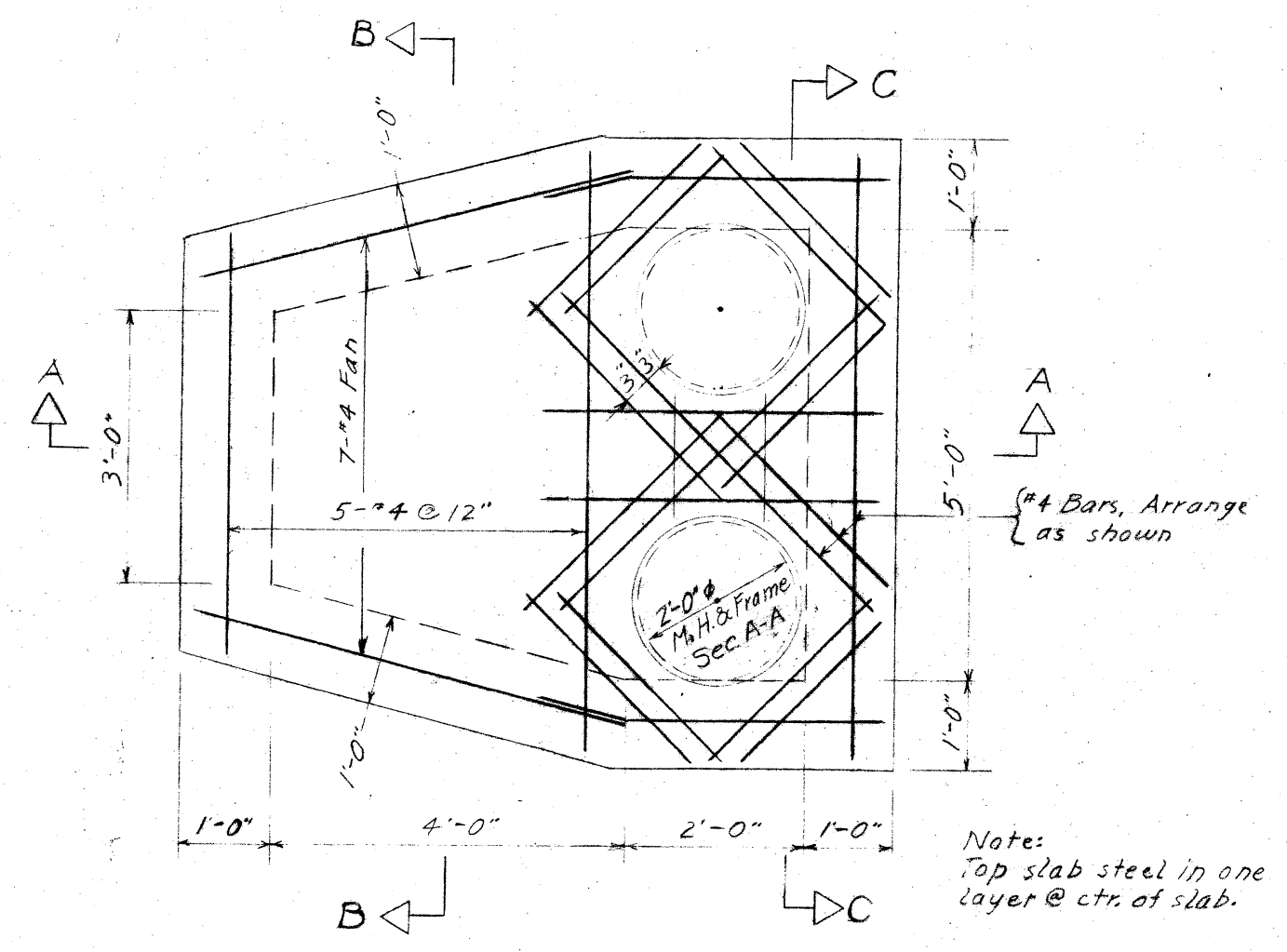


Dwg. No. 28 of 32
SACKETT PT. RD.
MH #7-102 to LOWER SIPHON AMBER
REVISED PER CONST REC 125
SEPT 17, 1965

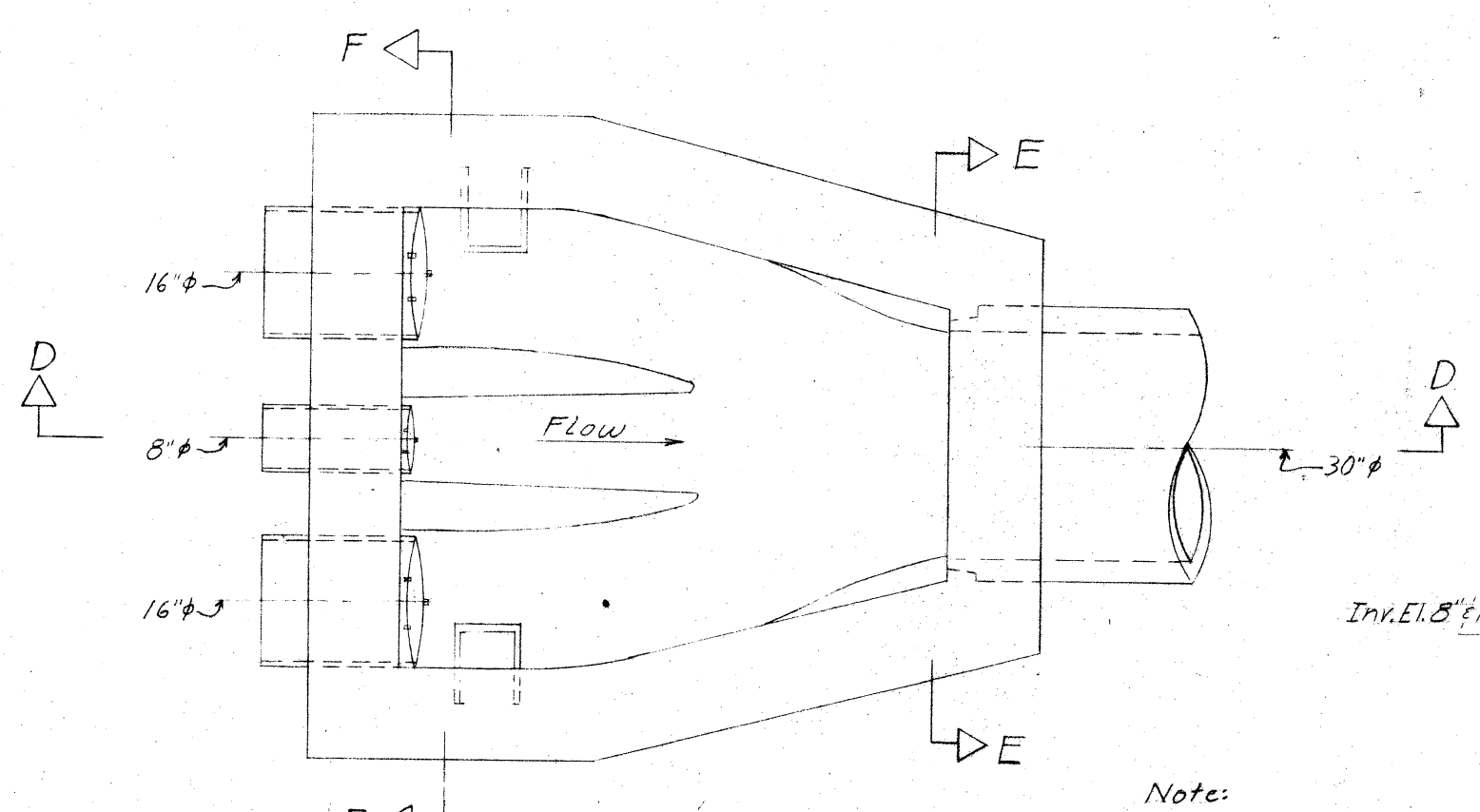




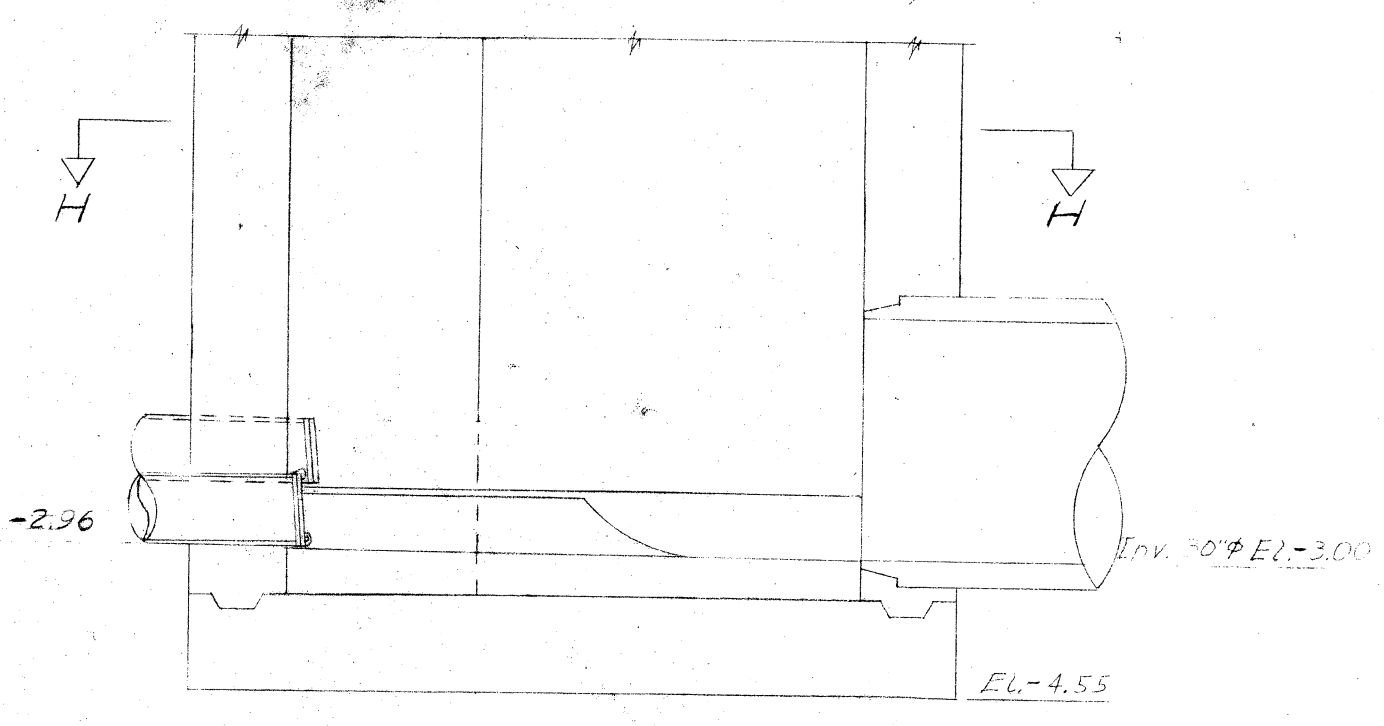
SECTION G-G
UPPER SIPHON CHAMBER
Scale 1/2"=1'0"



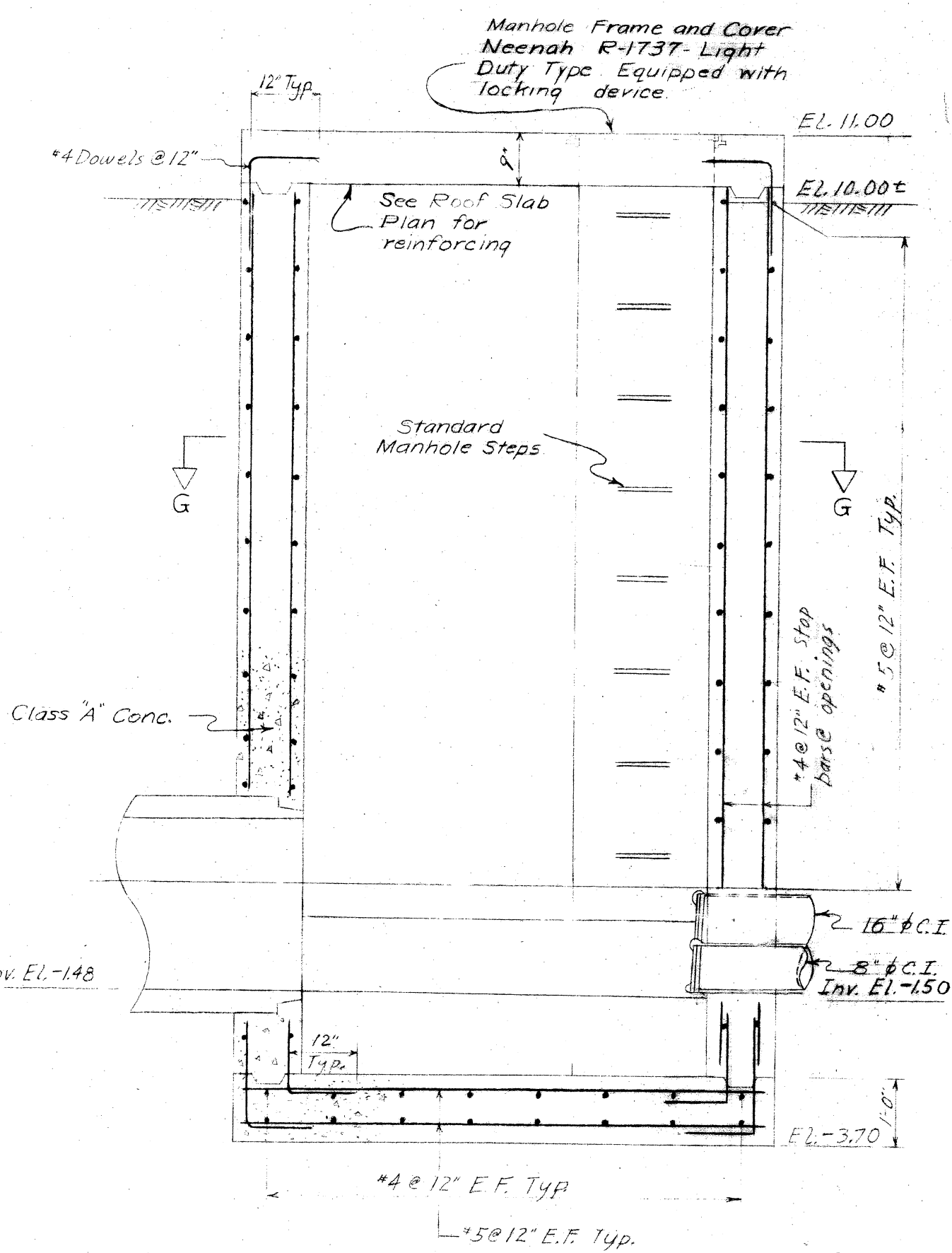
ROOF SLAB PLAN
UPPER SIPHON CHAMBER
Scale 1/4"=1'0"



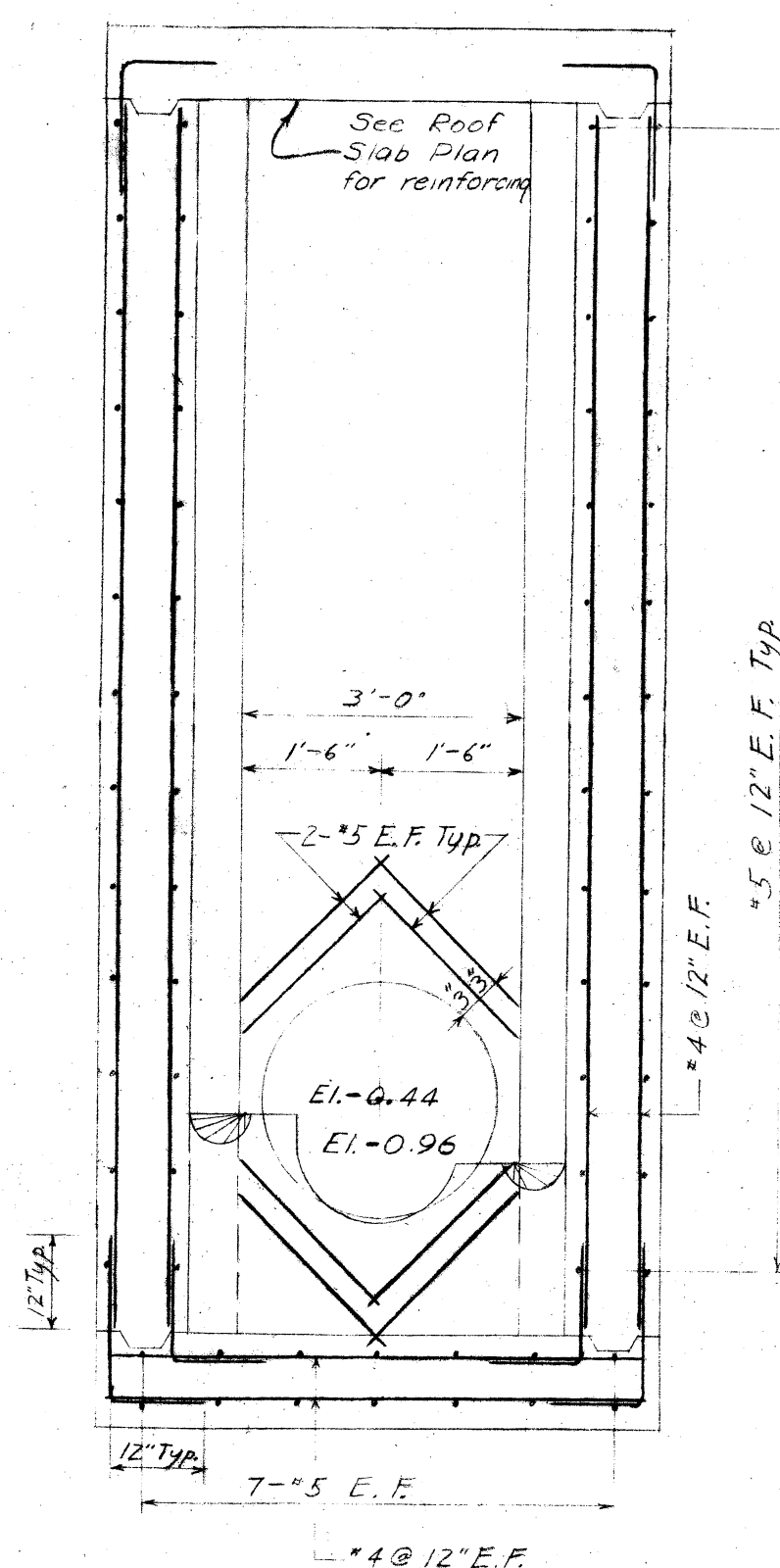
SECTION H-H
LOWER SIPHON CHAMBER
Scale 1/2"=1'0"



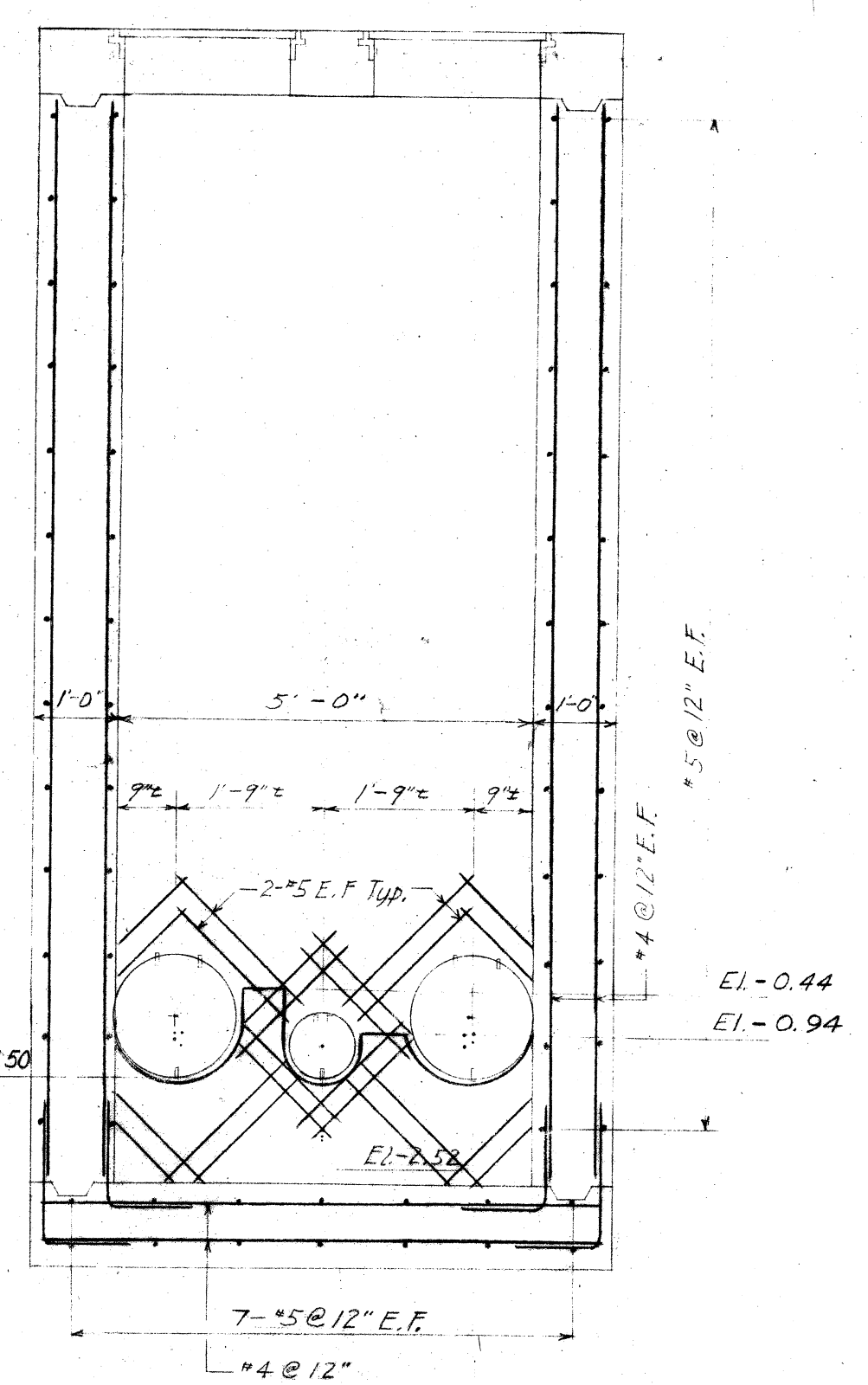
SECTION D-D
LOWER SIPHON CHAMBER
Scale 1/2"=1'0"



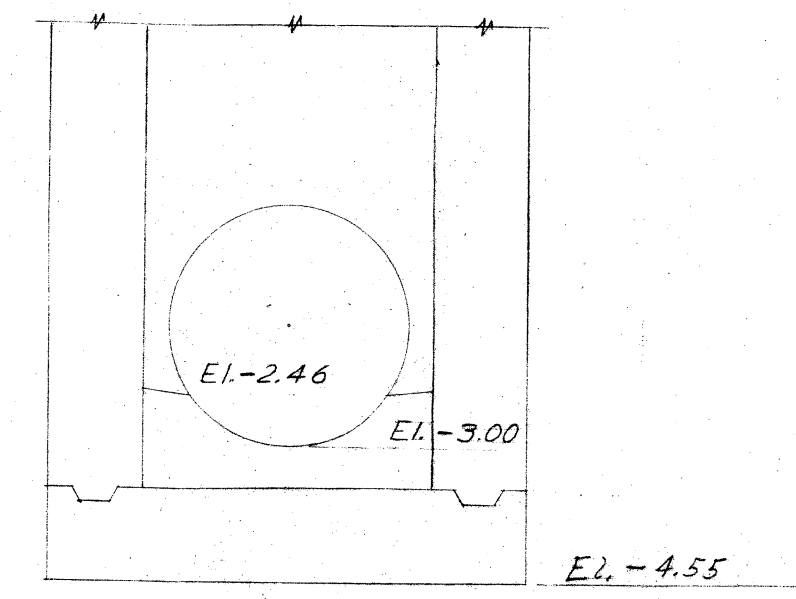
SECTION A-A
UPPER SIPHON CHAMBER
Scale 1/2"=1'0"



SECTION B-B
UPPER SIPHON CHAMBER
Scale 1/2"=1'0"

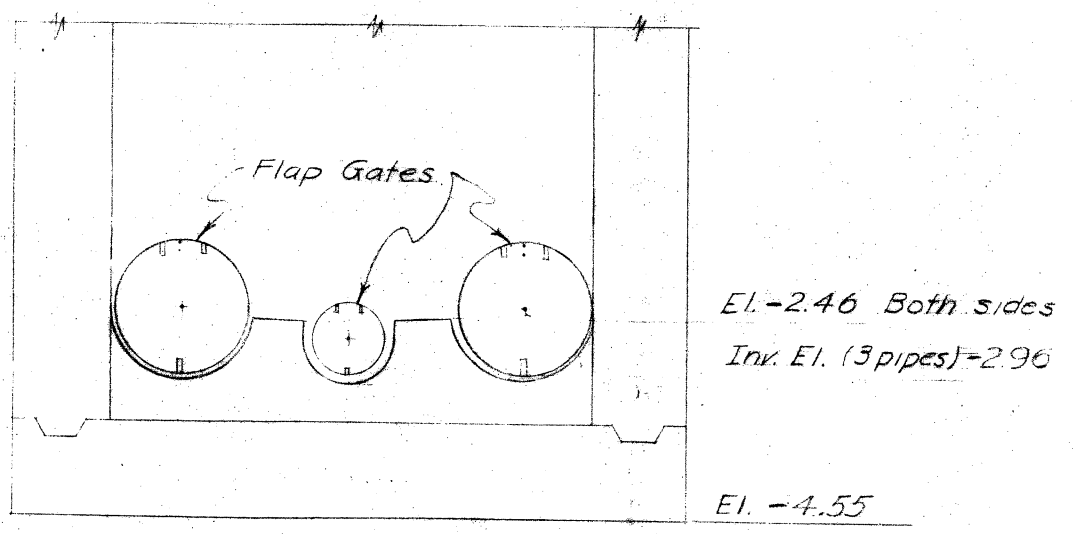


SECTION C-C
LOWER SIPHON CHAMBER
Scale 1/2"=1'0"



SECTION E-E
LOWER SIPHON CHAMBER
Scale 1/2"=1'0"

Note:
For dimensions & reinf. not shown,
see Upper Siphon Chamber.



SECTION F-F
LOWER SIPHON CHAMBER
Scale 1/2"=1'0"

- NOTES:
- All Concrete shall have a minimum compressive strength of 3000 psi at 28 days or at the earlier age at which the concrete may be expected to receive 15 full loads.
 - All Reinforcing Steel is to be structural grade of new billet steel, A.S.T.M. Designation A-15 latest revision with deformation meeting A.S.T.M. Designation A-305.
 - All Concrete work shall be done in accordance with concrete specifications.
 - Unless specified otherwise in the specifications and on the plans all reinforced concrete work shall be done in accordance with the 1956 Code of the American Concrete Institute.
 - Soil under base slabs shall not contain loam or other organic matter.
 - All temperature spacing and shrinkage reinforcing shall be made continuous with standard laps.
 - All foundations to rest on undisturbed soil.
 - Foundations are designed for a soil bearing capacity of two tons per foot. Should soil of less capacity be encountered Contractor shall notify Engineer at once so that design may be revised as required.
 - Concrete shall verify all dimensions, elevation, and field conditions.
 - Concrete shall have admixture agent as per specifications.
 - Ground water is expected at elevations shown on borings. Contractor shall notify the Engineer at once should water be encountered at higher elevation so that necessary changes in design may be made.
 - Flap Gates shall be ARMCO Model 50 C Flap Gates with spigot back and Cast Iron Seating Facing, complete with spigot back seats. Sizes shall be as shown in the drawing.

TOWN OF NORTH HAVEN SANITARY SEWERAGE SYSTEM CONNECTICUT		
DRAWN BY E.B.	QUINNIPIAC RIVER SIPHON CHAMBERS	PROJECT NO. 612800
CHECKED BY A.K.	PLANS & SECTIONS	DRAWING NO. 1041
APPROVED BY L.W.S.		DATE Nov. 2, 1966

PHILIP W. GENOVESE & ASSOCIATES
ENGINEERS
294 ELM STREET NEW HAVEN, CONN.